

***Clean plates, wires & electrodes for maximum efficiency***



**Ensure maximum performance and efficiency of your electrostatic precipitator with the RAPPIT Precipitator Vibrator from Houston Vibrator.**

RAPPIT Precipitator Vibrators keep plates, wires, and electrodes clean to maximize collection efficiency and minimize stack emissions.

The RAPPIT features a Tefkote® bore for lubrication-free operation. The 3-1/8" piston is air-cushioned at the top of the RAPPIT, eliminating stress on the head plate.

With an industry standard 3°30' taper mount, the RAPPIT is an off the shelf replacement rapper for any tapered transmission shaft application.

**Industries Served:**

Power Generation  
Pulp & Paper  
Cement Production  
Steel & Iron Production  
Chemical Production  
Foundries  
Waste Incineration

## AVAILABLE MODELS

### RAPPIT-3002

Standard with Tefkote®

### RAPPIT-3002-SS

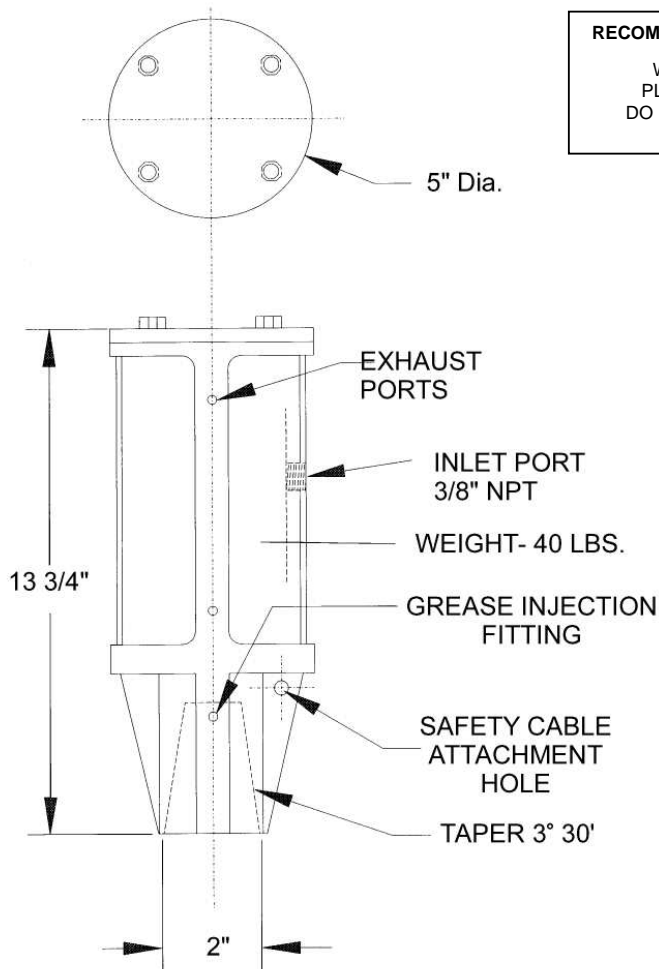
Standard with Tefkote®, plus Start Spring for horizontal mounting

### RAPPIT-3003

Non-coated internal bore

### RAPPIT-3003-SS

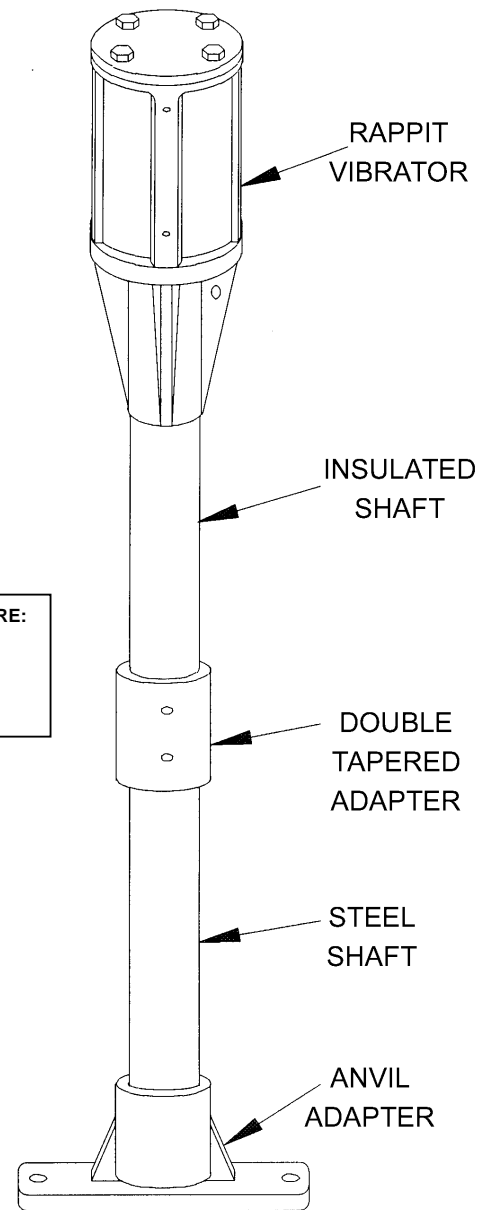
Non-coated internal bore, plus Start Spring for horizontal mounting



#### RECOMMENDED PRESSURE:

WIRE: 20-25 PSI  
 PLATES: 25-35 PSI  
 DO NOT OPERATE AT  
 OVER 45 PSI.

## TYPICAL RAPPIT INSTALLATION



The mounting components shown above, as well as air prep and control components are available from Houston Vibrator.

Ask your salesperson for assistance in choosing the right components for your installation.